



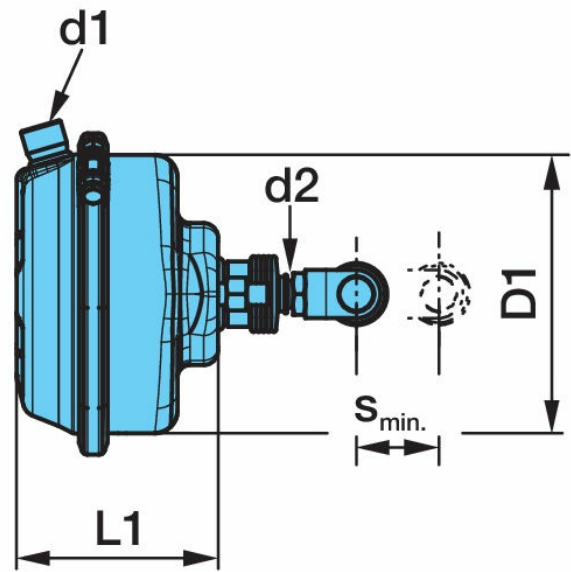
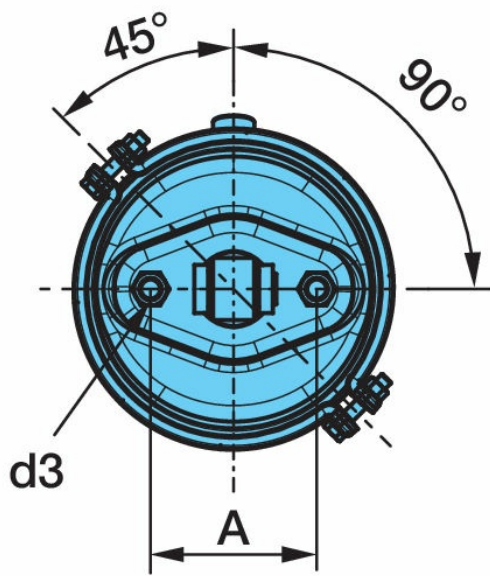
# 05.444.10.37.0

## Diaphragm cylinder for axle lift

**Dimension:**  
type 36 / stroke > 90

Item	1660
Weight [kg]	7,94
Additional text	incl. item 1663
d1	M 22 x 1,5
D1	202
d2	M 20 x 2,5
d3	M 16 x 1,5
Dimension A	120,7
L1	147
s min.	90

Item	Name	BPW code number	Dimension	Quantity
1663	Hexagon nut	02.5202.21.80	M 16 x 1,5 / SW 24	2



05 / 2019

