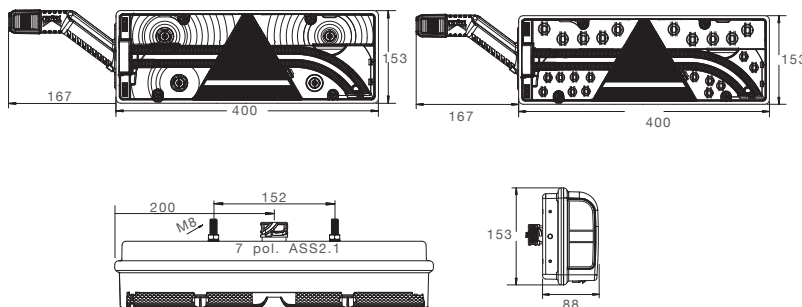




EUROPOINT III mit Umrissarm
with end outline marker

ADR Zone 2 IP 56K



Blinklicht Direction indicator	Rücklicht Tail light	Bremslicht Stop light	Nebelschlusslicht Fog light
Rückfahrlicht Reverse light	Dreieckrückstrahler Triangle reflector	Seitenmarkierungslicht + Reflektor Sidemarker light + reflector	

BEST. NR PART NO							ZUSATZ ADD ON	ANSCHLUSS CONNECTOR
25-7020-501	1/6	●		LED 	24V	LED		7 pol. ASS2.1 7 pin ASS2.1
25-7020-511	1/6	●		LED 	24V	LED		7 pol. ASS2.1 7 pin ASS2.1 4 x 2 pol. ASS2 4 x 2 pin ASS2
25-7020-541	1/6	●		LED 	24V	LED		7 pol. ASS2.1 7 pin ASS2.1
25-7020-701	1/6	●		LED	24V	LED		7 pol. ASS2.1 7 pin ASS2.1
25-7020-711	1/6	●		LED	24V	LED		7 pol. ASS2.1 7 pin ASS2.1 4 x 2 pol. ASS2 4 x 2 pin ASS2
25-7020-721	1/6	●		LED 	24V	LED		7 pol. ASS2.1 7 pin ASS2.1
25-7020-731	1/6	●		LED	24V	LED		7 pol. ASS2.1 7 pin ASS2.1
25-7021-511	1/6	●		LED 	24V	LED		7 pol. ASS2.1 7 pin ASS2.1 4 x 2 pol. ASS2 4 x 2 pin ASS2
25-7420-501	1/6		●	LED 	24V	LED		7 pol. ASS2.1 7 pin ASS2.1
25-7420-511	1/6		●	LED 	24V	LED		7 pol. ASS2.1 7 pin ASS2.1 4 x 2 pol. ASS2 4 x 2 pin ASS2
25-7420-541	1/6		●	LED 	24V	LED		7 pol. ASS2.1 7 pin ASS2.1
25-7420-551	1/6		●	LED 	24V	LED		7 pol. ASS2.1 7 pin ASS2.1 4 x 2 pol. ASS2 4 x 2 pin ASS2
25-7420-701	1/6		●	LED	24V	LED		7 pol. ASS2.1 7 pin ASS2.1
25-7420-711	1/6		●	LED	24V	LED		7 pol. ASS2.1 7 pin ASS2.1 4 x 2 pol. ASS2 4 x 2 pin ASS2
25-7420-721	1/6		●	LED 	24V	LED		7 pol. ASS2.1 7 pin ASS2.1
25-7420-751	1/6		●	LED	24V	LED		7 pol. ASS2.1 7 pin ASS2.1 4 x 2 pol. ASS2 4 x 2 pin ASS2
25-7420-761	1/6		●	LED	24V	LED		7 pol. ASS2.1 7 pin ASS2.1
25-7421-521	1/6		●	LED 	24V	LED		7 pol. ASS2.1 7 pin ASS2.1 4 x 2 pol. ASS2 4 x 2 pin ASS2